

## NSAC RADIOS – HX270E

Revised 27 March 2009

### CONTROLS

1. Antenna Connector (do not press transmit button without antenna connected)
2. On / Off / Volume
3. PTT: Push to talk (do not confuse with squelch)
4. Squelch
5. Indicator (green when receiving, red when transmitting)
6. Channel selector
7. Channel selector
8. 16/9: press once for Ch16; press again to return to previous channel; press and hold for Ch09. Hold down and toggle the DW button to change CAN / INTL / USA
9. DW: Dual Watch (Ch16 and one other. Choose channel and hold button until DW symbol appears)
10. Toggle between high, medium and low power. Hold down to lock or release current channel.
11. SCAN: Scans channels in memory. Press and hold to turn on or off. (There is a priority scan function but I can't see us needing it)
12. PRESET: Toggles between preset channels when held down. To add or delete preset, hold down preset button and hold channel selector until desired channel is reached.
13. MEM: Press once to add current channel to memory; press again to remove from memory.

### BATTERY

1. If the battery indicator is flashing, charge as soon as possible.
2. If the battery indicator is steady, charge at next suitable opportunity
3. If the battery indicator does not show, do not charge.
4. Full charge takes 10 hours. DO NOT charge for more than 24 hours.
5. There is a battery tray, which takes six dry batteries, which can be used if the rechargeable batteries fail.

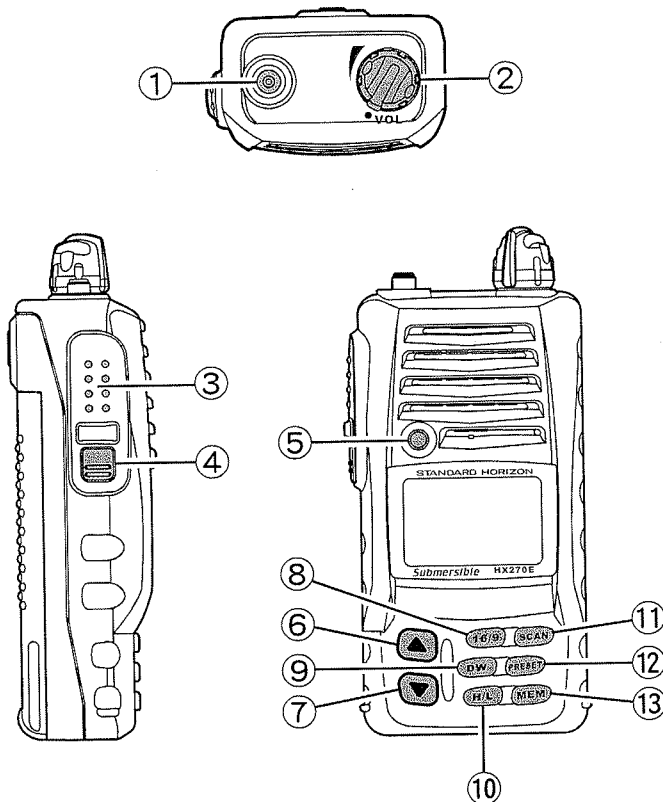


Figure 3  
Controls and Connectors

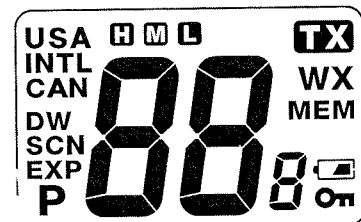


Figure 4  
Indicators